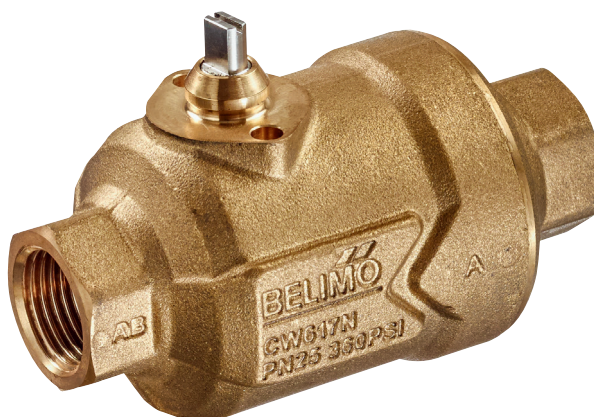


PI Zone Valve, 2-way, Internal thread

- For closed cold and warm water systems
- For modulating control of air-handling and heating systems on the water side
- Snap-assembly of the actuator


Type overview

Type	DN []	Rp ["]	V'nom [l/h]	V'nom [m³/h]	PN []	Sv min. []
C215QP-B	15	1/2	210	0.21	25	100
C215QPT-B	15	1/2	210	0.21	25	100
C215QP-D	15	1/2	420	0.42	25	100
C215QPT-D	15	1/2	420	0.42	25	100
C220QP-F	20	3/4	980	0.98	25	100
C220QPT-F	20	3/4	980	0.98	25	100
C225QPT-G	25	1	2100	2.1	25	100

PT = Version with measuring ports (P/T ports)

Technical data

Functional data	Fluid	Cold and warm water, water with glycol up to max. 50% vol.
Fluid temperature		-20...120 °C
Fluid temperature note		with actuator 2...90 °C
Pressure value		16...350 kPa
Close-off pressure Δ ps		1400 kPa
Flow characteristic		equal percentage (VDI/VDE 2178), optimised in the opening range
Pressure stability		±5% with a pressure value of 35...350 kPa ±10% with a pressure value of 16...35 kPa
Leakage rate		air-bubble tight, leakage rate A (EN 12266-1)
Flow setting		See installation instruction
Angle of rotation		90°
Angle of rotation note		Operating range 15...90°
Pipe connectors		Internal thread according to ISO 7-1
Installation position		upright to horizontal (in relation to the stem)
Servicing		maintenance-free
Materials	Housing	Brass body
Closing element		Stainless steel
Stem		Stainless steel
Stem seal		EPDM O-ring
Seat		PTFE, O-ring EPDM
Diaphragm		EPDM
Terms	Abbreviations	V'nom = nominal flow with valve completely opened V'max = maximum flow, set by the angle of rotation limitation on the actuator Sv = Rangeability kvs/kvr

Safety notes



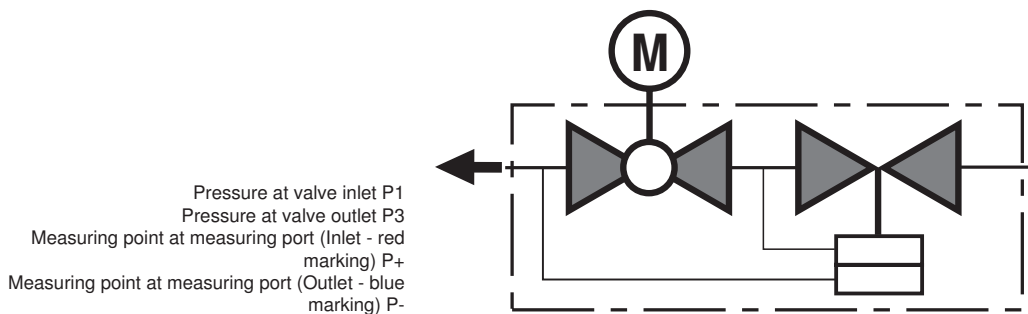
- The valve has been designed for use in stationary heating, ventilation and air-conditioning systems and must not be used outside the specified field of application, especially in aircraft or in any other airborne means of transport.
- Only authorised specialists may carry out installation. All applicable legal or institutional installation regulations must be complied during installation.
- The valve does not contain any parts that can be replaced or repaired by the user.
- The valve may not be disposed of as household refuse. All locally valid regulations and requirements must be observed.
- When determining the flow rate characteristic of controlled devices, the recognised directives must be observed.

Product features

Mode of operation The ball valve is adjusted by a rotary actuator. The actuator is controlled by a commercially available modulating or 3-point control system and moves the ball of the valve – the throttling device – to the position dictated by the positioning signal. Open the characterised control valve counterclockwise and close it clockwise.

Flow characteristic Equal percentage flow control is ensured by the special design of the ball.

Constant flow volume With a differential pressure of 16...350 kPa, a constant flow volume is achieved thanks to the integrated pressure regulating valve. Independent of the differential pressure through the valve, a valve authority of 1 is achieved. Even with pressure variations and in the partial load range, the flow rate remains constant with each respective opening position (angle of rotation) and ensures a steady control.



Flow limitation Instead of the electric actuator, the PIQCV-valve can also be operated with a flow limiter (see accessories). The flow limiter ensures that the heat exchanger is continuously supplied with a manually fixed amount of water.

Measurement ports (P/T ports) The C2..QP(T)-.. type valves have two measurement ports. The total drop in pressure across the valve can be determined using the measurement points at the valve inlet (P1) and outlet (P3). The measurement ports can be used to easily establish whether the effective differential pressure across the valve is within the effective pressure range of 16...350 kPa. If it is, the valve operates independently of pressure and the correct flow rate is automatically ensured by the valve according to the setting table.

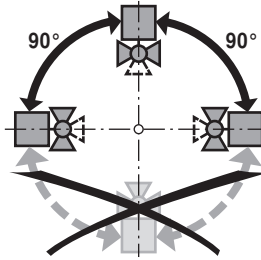
The differential pressure measurement can also be used to optimise the pump setting. This involves reducing the delivery height of the pump until only the minimum differential pressure required (16 kPa) is still present across the valve at the point of lowest pressure (the furthest away from the pump in hydraulic terms).

Accessories

	Description	Type
Mechanical accessories	Pipe connector for ball valve DN 15 Rp 1/2"	ZR2315
	Pipe connector for ball valve DN 20 Rp 3/4"	ZR2320
	Pipe connector for ball valve DN 25 Rp 1"	ZR2325
	Spindle extension CQ	ZCQ-E
	Flow limiter PIQCV	ZCQ-FL

Installation notes

Recommended installation positions The ball valve can be installed upright to horizontal. The ball valve may not be installed in a hanging position, i.e. with the stem pointing downwards.



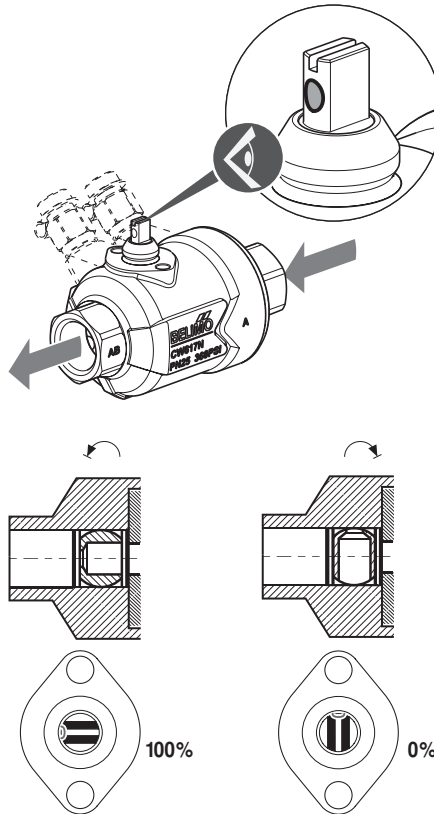
Mounting position in the return Installation in the return is recommended.

Water quality requirements The water quality requirements specified in VDI 2035 must be adhered to. Belimo valves are regulating devices. For the valves to function correctly in the long term, they must be kept free from particle debris (e.g. welding beads during installation work). The installation of a suitable strainer is recommended.

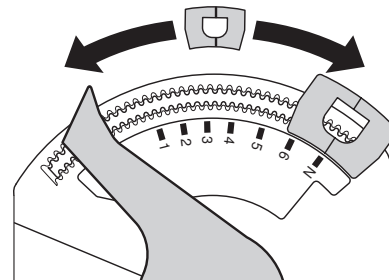
Servicing Ball valves and rotary actuators are maintenance-free. Before any service work on the final controlling device is carried out, it is essential to isolate the rotary actuator from the power supply (by unplugging the electrical cable if necessary). Any pumps in the part of the piping system concerned must also be switched off and the appropriate slide valves closed (allow all components to cool down first if necessary and always reduce the system pressure to ambient pressure level). The system must not be returned to service until the ball valve and the rotary actuator have been correctly reassembled in accordance with the instructions and the pipeline has been refilled by professionally trained personnel.

Installation notes

Flow direction The direction of flow, specified by an arrow on the housing, is to be complied with, since otherwise the ball valve could become damaged. Please ensure that the ball is in the correct position (marking on the spindle).



Flow setting The angle of rotation of the CQ.. actuator can be changed by end stop clip in 2.5° increments. This is used to set the V_{max} -value (maximum flow rate of the valve). Remove end stop clip and place at desired position. After every change of the flow setting by means of end stop clip, an adaptation must be triggered on the modulating actuators.

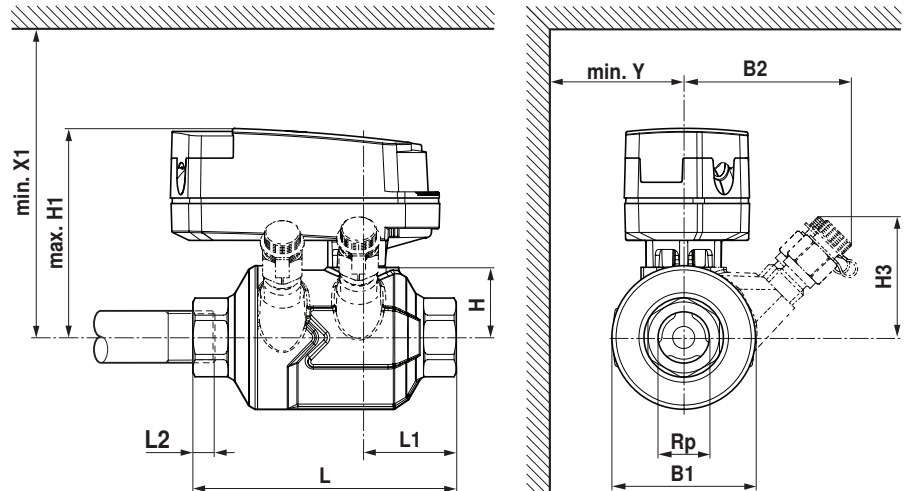


	Pos	1	2	3	3+	4-	4	4+	5-	5	5+	6-	6	6+	N-	N	
C2..QP(T)-B	V_{max} (l/h)	20	30	40	45	50	60	70	80	90	105	120	135	150	165	180	210
	\dot{V}_{max} (l/s)	0.006	0.008	0.011	0.013	0.014	0.017	0.019	0.022	0.025	0.029	0.033	0.038	0.042	0.046	0.050	0.058
C2..QP(T)-D	V_{max} (l/h)	50	70	100	110	130	150	170	190	210	240	270	300	330	360	400	420
	\dot{V}_{max} (l/s)	0.014	0.019	0.028	0.031	0.036	0.042	0.047	0.053	0.058	0.067	0.075	0.083	0.092	0.100	0.111	0.117
C2..QP(T)-F	V_{max} (l/h)	90	130	190	220	250	290	340	390	440	500	570	630	700	760	820	980
	\dot{V}_{max} (l/s)	0.025	0.036	0.053	0.061	0.069	0.081	0.094	0.108	0.122	0.139	0.158	0.175	0.194	0.211	0.228	0.272
C2..QPT-G	V_{max} (l/h)	260	410	600	670	750	840	920	1010	1110	1210	1310	1420	1530	1640	1750	2100
	\dot{V}_{max} (l/s)	0.072	0.114	0.167	0.186	0.208	0.233	0.256	0.281	0.308	0.336	0.364	0.394	0.425	0.456	0.486	0.583



Dimensions / Weight

Dimensional drawings



H1/X1: without spindle extension CQ

L2: Maximum screwing depth.

Type	DN []	Rp ["]	L [mm]	L1 [mm]	L2 [mm]	B1 [mm]	B2 [mm]	H [mm]	H1 [mm]	H3 [mm]	Y [mm]
C215QP-B	15	1/2	96	34	13	52		26	80		40
C215QPT-B	15	1/2	96	34	13	52	61	26	80	44	40
C215QP-D	15	1/2	96	34	13	52		26	80		40
C215QPT-D	15	1/2	96	34	13	52	61	26	80	44	40
C220QP-F	20	3/4	106	39	14	63		31	85		45
C220QPT-F	20	3/4	106	39	14	63	72	31	85	49	45
C225QPT-G	25	1	118	42	16.8	77	80	40	87	55	52

Type	X1 [mm]	Weight
C215QP-B	125	0.71 kg
C215QPT-B	125	0.80 kg
C215QP-D	125	0.71 kg
C215QPT-D	125	0.80 kg
C220QP-F	130	1.0 kg
C220QPT-F	130	1.1 kg
C225QPT-G	137	1.6 kg

Further documentation

- Data sheets for actuators CQ..
- Installation instruction for zone valves and actuators
- General notes for project planning